

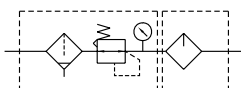
# MACP302 series

**AIR UNIT (F.R.L.UNIT)**



Option: **MP41**

## Symbol



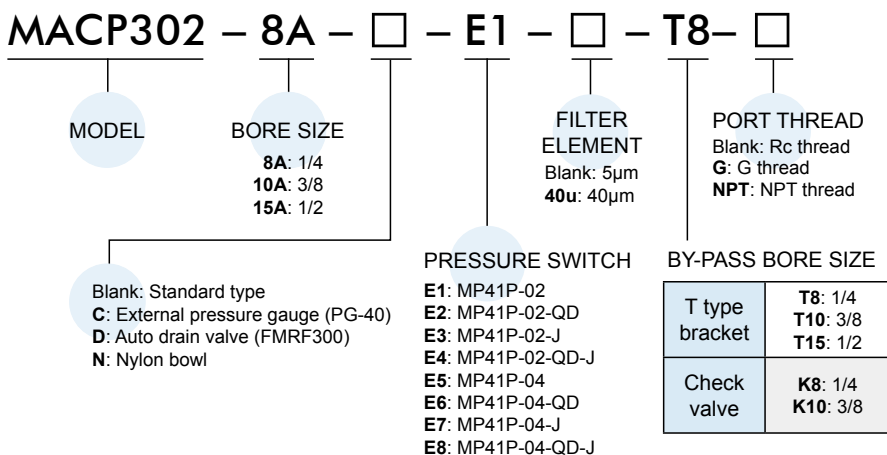
## Specification

Model	MACP302		
Components	MAFR302, MAL302		
Bore No.	8A	10A	15A
Port size	1/4	3/8	1/2
Medium	Air		
Operating pressure range (*)	0.05~1 MPa		
Proof pressure	1.5 MPa		
Regulated pressure range	0.05~0.85 MPa		
Ambient temperature	- 5~+60°C (No freezing)		
Filter element	Standard: 5µm Option: 40µm		
Lubricating oil capacity	65c.c		
Min. flow for oil drip	50 ℓ/min	60 ℓ/min	
Recommended lubricating oil	Turbine oil ISO-VG32		
Attachment	Pressure gauge(PG-20),T-type bracket		
Weight	845 g		

\* Standard unit contains semi-auto-drain function when operating pressure below 0.05 MPa.

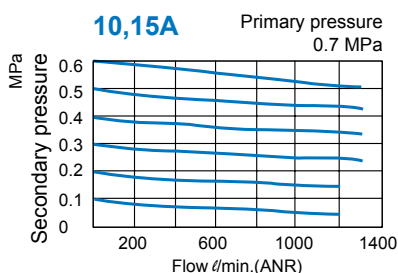
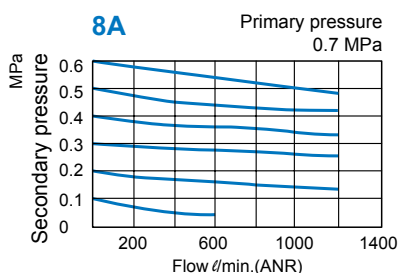
\* Choose auto-drain FMRF300, the pressure range is 0.15~1 MPa.

## Order example



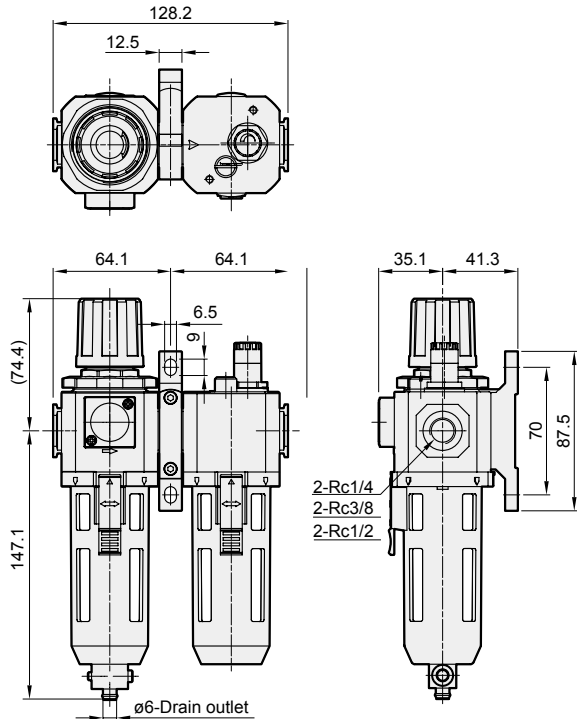
\* PG-40 and MP41 can not be selected at the same time.  
\* Be sure to use above check valves when redirecting the air flow on the inlet side of the lubricator.  
\* Refer to page 5-11 for the option of digital pressure switch MP41.

## Flow feature



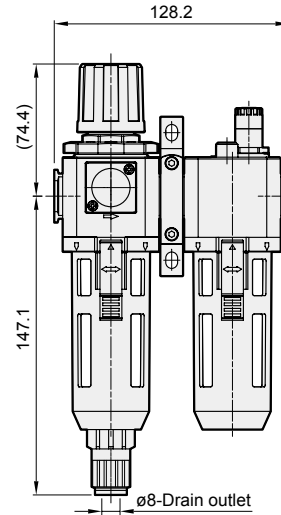
# MACP302 Dimensions

AIR UNIT (F.R.L.UNIT)



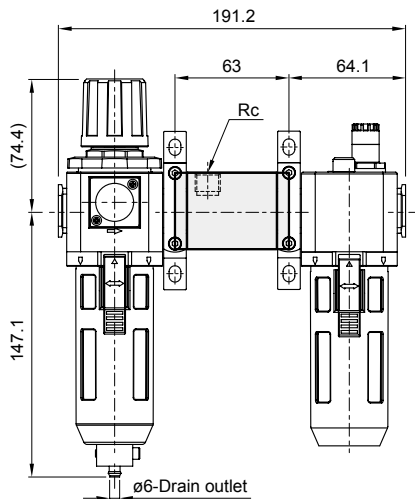
## MACP302-D\*

Auto drain valve



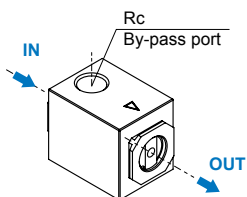
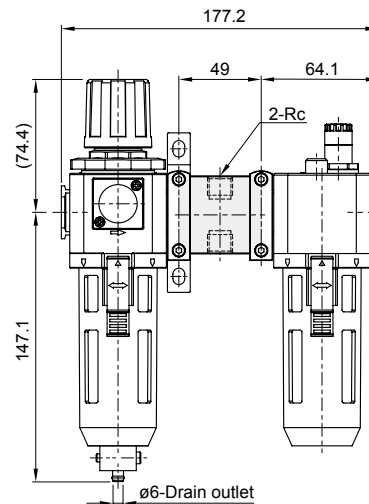
## MACP302-K\*

Check valve

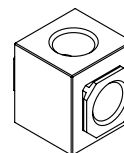


## MACP302-T\*

T type bracket



	Rc
<b>K8</b>	Rc1/4
<b>K10</b>	Rc3/8



	Rc
<b>T8</b>	Rc1/4
<b>T10</b>	Rc3/8
<b>T15</b>	Rc1/2

\* Threads for IN and OUT ports are not machined.

# MACP302-HT With shutoff valve

**AIR UNIT (F.R.L.UNIT)**



## Order example

MACP302 – 8A – □ – E1 – □ – HT – □

MODEL

BORE SIZE

8A: 1/4  
10A: 3/8  
15A: 1/2

FILTER ELEMENT  
Blank: 5µm  
40u: 40µm

PORT THREAD

Blank: Rc thread  
G: G thread  
NPT: NPT thread

PRESSURE SWITCH

E1: MP41P-02  
E2: MP41P-02-QD  
E3: MP41P-02-J  
E4: MP41P-02-QD-J  
E5: MP41P-04  
E6: MP41P-04-QD  
E7: MP41P-04-J  
E8: MP41P-04-QD-J

SHUTOFF VALVE

HT: MVHT-302-3H

Blank: Standard type

C: External pressure gauge (PG-40)

D: Auto drain valve (FMRF300)

N: Nylon bowl

\* PG-40 and MP41 can not be selected at the same time.

\* Refer to page 5-11 for the option of digital pressure switch MP41.

